

Retaining Rings

Stainless Steel

SPECIFICATION

Types

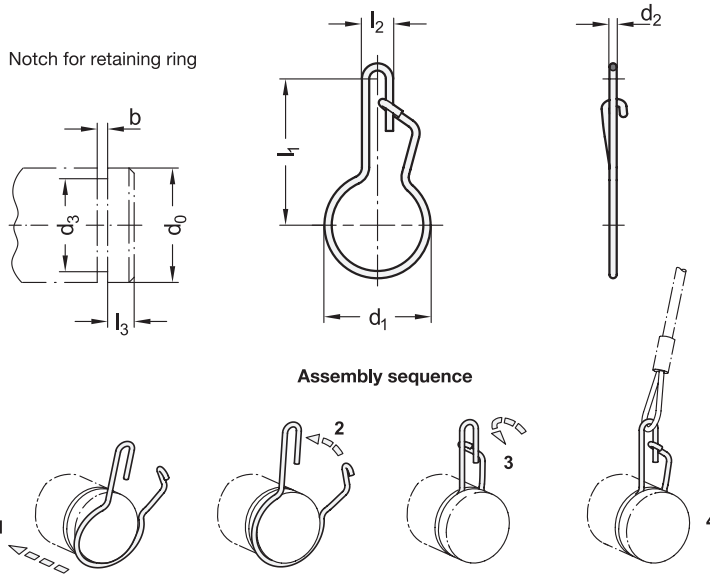
Type **S**: Safety retaining ring
Stainless steel AISI 301

INFORMATION

Retaining Rings GN 111.6 can be revolving mounted on the cut-in onto shaft ends or handle. Star knobs, for example, can be secured against loss at the place of use with an additional retaining cable.
Service standard GN 111.7 (see page) lists all standard parts that can be delivered with loss protection, i.e., with groove and retaining ring.

TECHNICAL INFORMATION

Stainless Steel Characteristics (see page A26)



Description	d ₀	d ₁ +0.5	d ₂	d ₃ ±0.1	b +0.2	l ₁ ≈	l ₂ ±0.5	l ₃ +0.3	⚖
GN 111.6-12-S	12	11.4	1.1	9.1	1.7	18.7	5	2.5	1
GN 111.6-14-S	14	13.2	1.1	10.9	1.8	19.8	5	3.2	3
GN 111.6-15-S	15	14.6	1.3	11.9	1.8	22.7	5.5	3.2	5
GN 111.6-16-S	16	15.6	1.3	12.9	1.8	23.3	5.5	3.2	7
GN 111.6-17-S	17	16.4	1.3	13.7	1.9	23.8	5.5	3.9	9
GN 111.6-18-S	18	17.6	1.4	14.7	1.9	26.5	6	3.9	11
GN 111.6-19-S	19	18.6	1.4	15.7	1.9	27.1	6	3.9	13
GN 111.6-20-S	20	19.6	1.4	16.7	1.9	27.7	6	3.9	15
GN 111.6-21-S	21	20.4	1.4	17.5	2	28.1	6	5.1	17
GN 111.6-22-S	22	21.8	1.6	18.5	2	31.1	7	5.1	19
GN 111.6-23-S	23	22.8	1.6	19.5	2	31.7	7	5.1	21
GN 111.6-24-S	24	23.8	1.6	20.5	2	32.2	7	5.1	23
GN 111.6-26-S	26	25.6	1.6	22.3	2.1	33.2	7	5.4	25